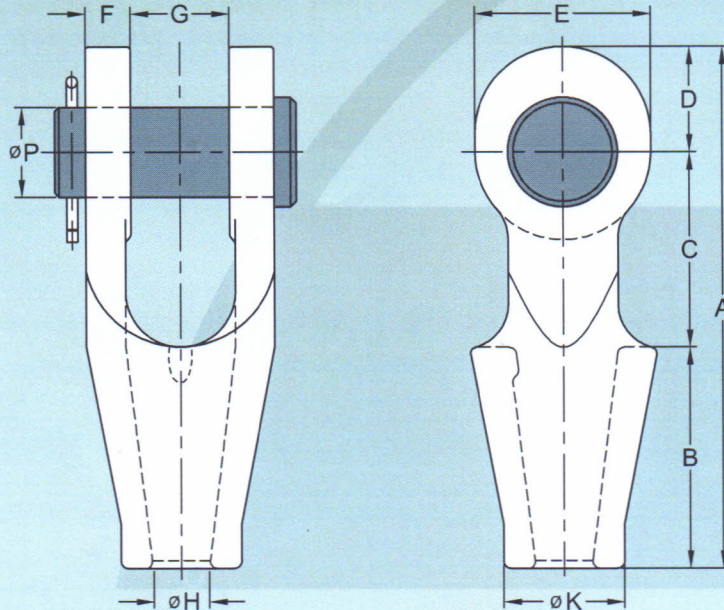


# Open Spelter Sockets with pin



## SILVERLINE

Open spelter socket with pin

Model nr.	MBL (Mtons)	for wire ø		Approximate resin volume (cc)	Dimensions (mm)										Weight (kg)
		mm	inch		A	B	C	D	E	F	G	øH	øK	øP	
OSS 196 P	8	6-7	1/4	10	105	46	40	19	34	9	18	9.5	20	17.5	0.4
OSS 197 P	12	8-10	3/8	20	122	57	45	23	40	11.2	20.6	12.5	26	20.6	0.8
OSS 198 P	20	11-13	7/16-1/2	35	142	64	51	27	48	12.7	25.6	14	30	25.4	1.1
OSS 199 P	25	14-16	9/16-5/8	50	171	76	63	32	56	14.5	32	17.5	38.5	30	1.9
OSS 100 P	40	18-19	3/4	80	205	89	76	40	70	16.5	38	21	46	35	3.2
OSS 104 P	55	20-22	7/8	125	238	101	89	48	80	20.5	45	25.5	55	41	5.3
OSS 108 P	75	23-26	1	160	273	114	101	58	100	22.5	51	28	62	51	8.4
OSS 111 P	90	27-30	1 1/8	210	306	127	114	65	110	25	57	32	70	57	11.3
OSS 115 P	125	31-36	1 1/4-1 3/8	350	337	139	127	71	122	28	63	38	83	63	16
OSS 118 P	150	37-39	1 1/2	425	394	152	162	80	140	30	76	41	90	70	23
OSS 120 P	170	40-42	1 5/8	500	415	165	165	85	150	33	76	44	97	76	29
OSS 125 P	225	43-48	1 3/4-1 7/8	700	467	191	178	98	170	39	89	51	112	89	43
OSS 128 P	280	49-54	2-2 1/8	1250	552	216	228	108	186	46	101	57	125	95	64
OSS 130 P	360	55-60	2 1/4-2 3/8	1425	603	229	254	120	210	53	113	66	135	108	86
OSS 132 P	425	61-68	2 1/2-2 5/8	1850	654	248	273	133	230	60	127	74	150	121	118
OSS 135 P	460	69-75	2 3/4-2 7/8	2300	696	279	279	138	240	73	133	79	160	127	160
OSS 138 P	560	76-80	3-3 1/8	3400	736	305	286	145	250	76	146	86	170	133	180
OSS 140 P	625	81-86	3 1/4-3 3/8	4100	790	330	300	160	275	79	159	92	180	140	225
OSS 142 P	720	87-93	3 1/2-3 5/8	5200	849	356	318	175	300	82	172	98	200	152	250
OSS 144 P	875	94-102	3 3/4-4	7700	922	381	343	198	336	89	191	108	215	178	380

MBL = Minimum Breaking Load.

Our standard sockets are delivered in dark grey coating (RAL 7024). Hot dipped galvanized is also available. All sockets can be provided with Declaration of compliance according EN 10204-2.1. Material certificate according EN 10204-3.1 and EC Declaration according machine directive 98/37/EC.

