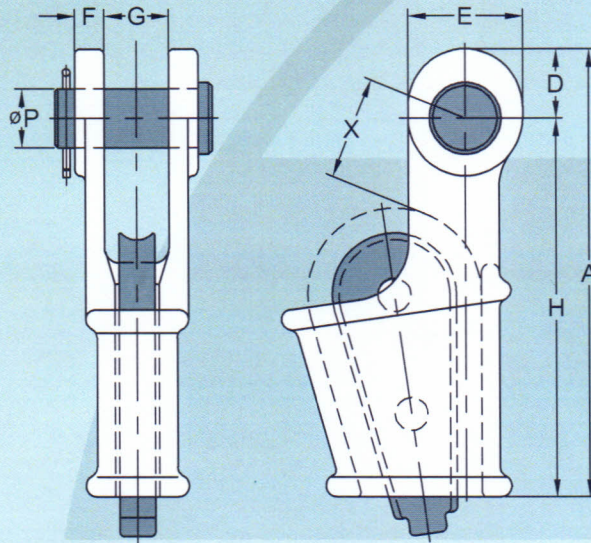


Open Wedge Sockets with pin



SILVERLINE

Open wedge socket with pin

Model nr.	MBL (Mtons)	for wire ϕ		Dimensions (mm)								Weight (kg)
		mm	inch	A	D	E	F	G	H	ϕP	X	
OWS 0.25 P	8	7 - 8	$5/16$	130	20	34	9	18	110	17.5	40	0.7
OWS 0.5 P	12	9 - 10	$3/8$	150	25	44	11	21	125	20.6	45	1.2
OWS 1 P	20	11 - 13	$1/2$	183	27	48	12.7	25.6	156	25.4	60	2.1
OWS 2 P	25	14 - 16	$5/8$	224	32	56	14.5	32	192	30	65	3.6
OWS 3 P	40	17 - 19	$3/4$	272	40	70	16.5	38	232	35	70	6.3
OWS 4 P	55	20 - 22	$7/8$	312	48	80	20.5	45	264	41	80	10.3
OWS 5 P	75	23 - 26	1	370	58	100	22.5	51	312	51	90	16
OWS 6 P	90	27 - 29	$1 7/8$	413	65	110	25	57	348	57	100	21.5
OWS 7 P	110	30 - 32	$1 1/4$	455	71	122	28	63	384	63	110	30
OWS 8 P	125	34 - 36	$1 3/8$	508	76	132	28	70	432	63	125	36
OWS 9 P	150	37 - 39	$1 1/2$	548	80	140	30	76	468	70	140	50
OWS 10 P	170	40 - 42	$1 5/8$	589	85	150	33	76	504	76	155	60
OWS 11 P	225	43 - 48	$1 3/4 - 1 7/8$	674	98	170	39	89	576	89	175	90
OWS 12 P	280	49 - 52	2	733	108	186	46	101	625	95	195	125
OWS 13 P	360	54 - 58	$2 1/4$	816	120	210	53	113	696	108	220	175
OWS 14 P	425	60 - 68	$2 1/2$	950	133	230	60	127	817	121	250	250
OWS 15 P	460	72 - 76	3	1057	145	250	76	146	912	133	280	400

X = depending on the actual wire rope diameter, rope construction and fill factor.

MBL = Minimum Breaking Load.

Our standard sockets are delivered in dark grey coating (RAL 7024). Hot dipped galvanized is also available. All sockets can be provided with Declaration of compliance according EN 10204-2.1. Material certificate according EN 10204-3.1 and EC Declaration according machine directive 98/37/EC.

